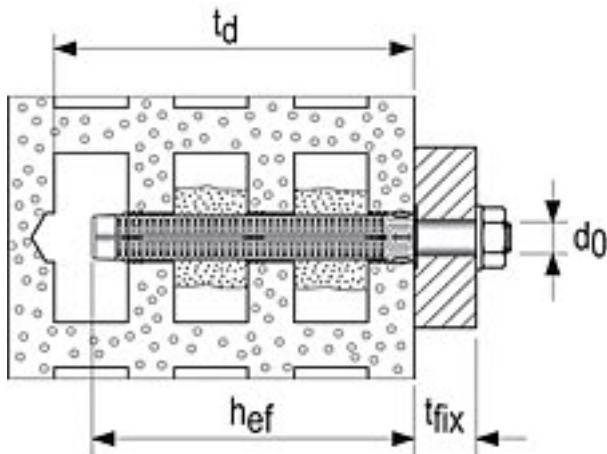


# Injection anchor sleeve plastic FIS H K



## Technical data



Type	Art.-No.	<span style="color: blue;">■</span> ETA <span style="color: red;">●</span> DIBt	drill $d_0$ [mm]	effect. anchoring depth $h_{ef}$ [mm]	Mortar filling quantity	anchor length $l$ [mm]	fits	EAN Code	ID	Qty. per box pcs.
FIS H 12 x 50 K	041900	-	12	50	5	50	FIS A M6-M8, FIS EK 5-6	8001132419007	7	50
FIS H 12 x 85 K	041901	-	12	85	10	85	FIS A M6-M8, FIS EK 5-6	8001132419014	4	50
FIS H 16 x 85 K	041902	-	16	85	12	85	FIS A M8-M10, FIS EK 8-10, FIS E M6-M8, abgestufter Gewindestange M12	8001132419021	1	50
FIS H 16 x 130 K	041903	-	16	130	15	130	FIS A M8-M10, FIS EK 8-10, FIS E M6-M8, abgestufter Gewindestange M12	8001132419038	8	20
FIS H 20 x 85 K	041904	-	20	85	15	85	FIS A M12-M16, FIS E M10-M12	8001132419045	5	20